

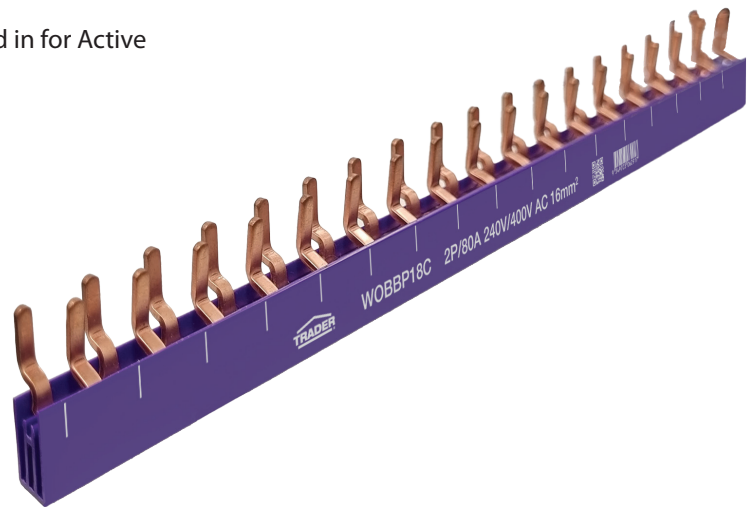
WOLVERINE

Wolverine Busbar's



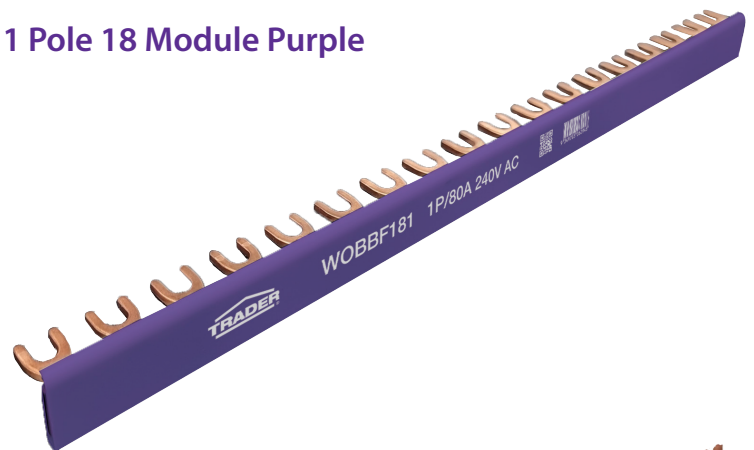
WOBBP18C - Busbar Insulated Pin 80 Amp 2 Pole 18 Module Combo Active Plus Neutral Purple

- Designed for single module combination RCBO feed in for Active and Neutral
- Rated current I_n , busbar comb, end feed 80A
- Rated Voltage 230V/400V
- Type connection Pin type
- Number of phases 2
- Number of modules 18
- Insulated sleeve
- Suitable for devices with N-conductor
- Module width 18mm
- Cross section 16mm^2



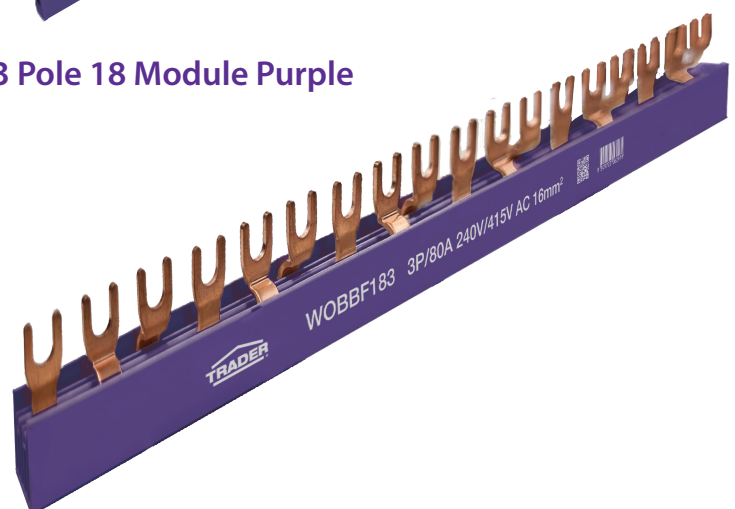
WOBBF181 - Busbar Insulated Fork 80 Amp 1 Pole 18 Module Purple

- Designed for single pole feed in for Active
- Rated current I_n , busbar comb, end feed 80A
- Rated Voltage 230V
- Type connection Fork type
- Number of phases 1
- Number of modules 18
- Insulated sleeve
- Not Suitable for devices with N-conductor
- Module width 18mm
- Cross section 16mm^2

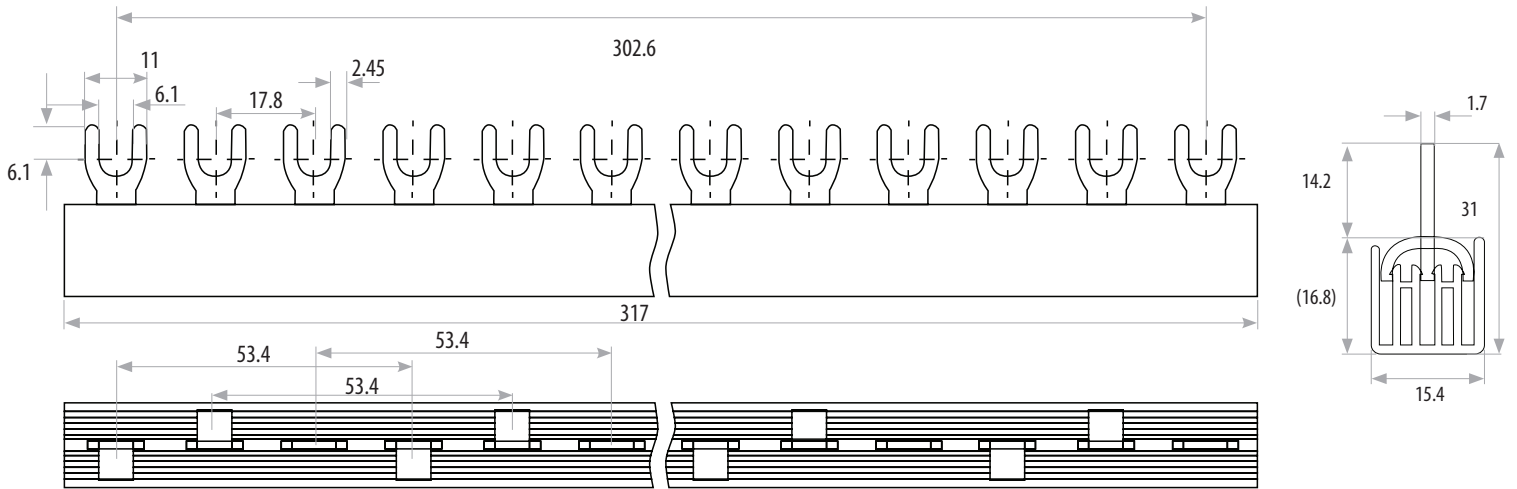


WOBBF183 - Busbar Insulated Fork 80 Amp 3 Pole 18 Module Purple

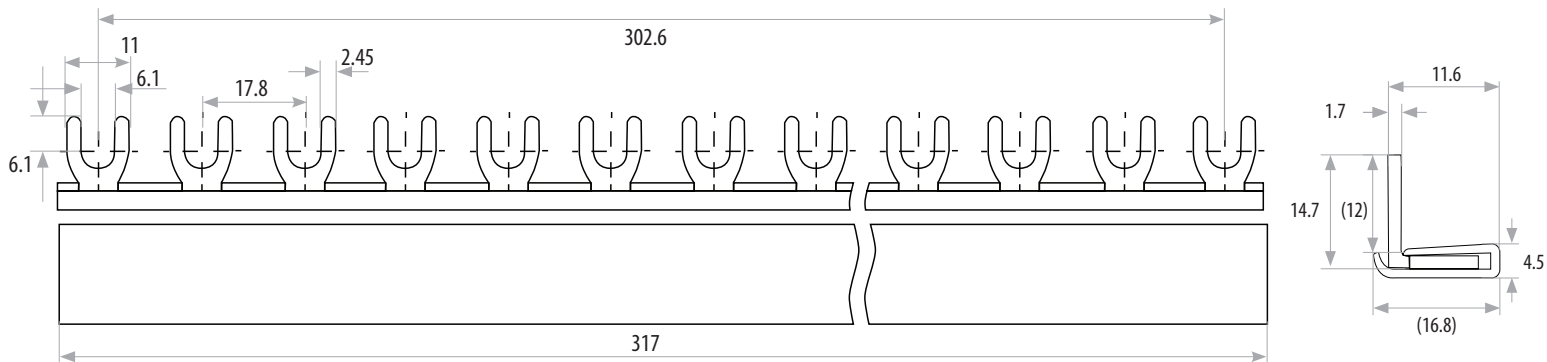
- Designed for three phase feed in for Active
- Rated current I_n , busbar comb, end feed 80A
- Rated Voltage 230V/400V
- Type connection Fork type
- Number of phases 3
- Number of modules 18
- Insulated sleeve
- Not Suitable for devices with N-conductor
- Module width 18mm
- Cross section 16mm^2



WOBBP18C - Busbar Insulated Pin 80 Amp 2 Pole 18 Module Combo Active Plus Neutral Purple



WOBBF181 - Busbar Insulated Fork 80 Amp 1 Pole 18 Module Purple



WOBBF183 - Busbar Insulated Fork 80 Amp 3 Pole 18 Module Purple

